

FROMM FCS10U Semi Automatic Carton Taping Machine

Fast and efficient, the FCS10U Semi Automatic Carton Taping Machine is guaranteed to increase productivity. Featuring a rugged steel construction which is designed for round the clock operation, the FCS-10U is one of the most durable and reliable carton sealers on the market.

Catering to a variety of box sizes, the FCS-10U can be quickly and easily adjusted to suit the size of your carton.



Features

- Easy to operate
- Side drive belts
- Seals top and bottom
- Manual height and width adjustments
- Stand alone or inline

Benefits

- Plug and play technology
- More efficient than hand taping
- Robust and reliable
- Fast roll change with cassette
- FROMM 2 year warranty

Uniform

 20m/min

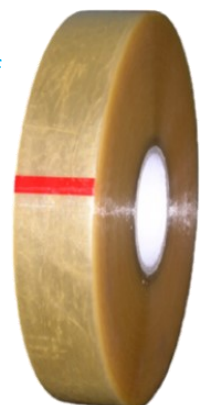
 120mm to 500mm

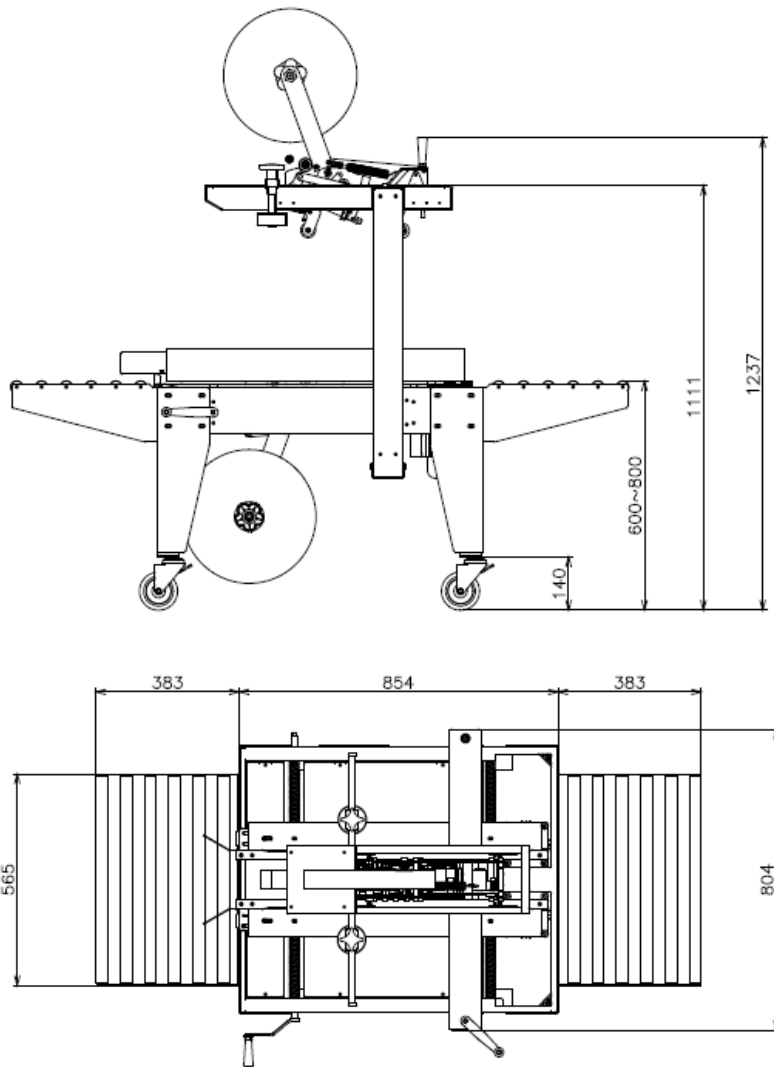
 150mm to 500mm

Machine Packaging Tape

For optimal taping efficiency we have an extensive range of machine packaging tape.

Ask your JT Dixon representative for their guidance.





Technical Specifications

Capacity:

Carton Length (mm):	150-unlimited
Carton Width (mm):	150-500
Carton Height (mm):	120-500

Machine Size:

Length (mm):	1580
Width (mm):	804
Height (mm):	1237
Weight (kg):	131

Tape Specification:

Width (mm):	48
-------------	----

Belt:

Speed (m/min):	20
----------------	----

Power Supply:

240V, Single Phase, 50Hz

Operating Conditions:

Temperature range (°C):	0 - +45
-------------------------	---------