

Pacmasta TMS-300 Semi-Automatic Strapping Machine

The Pacmasta TMS-300 is an affordable, portable, and compact semi-auto strapping machine. It is designed for general purpose and can meet your various applications.

The Pacmasta TMS-300 Strapping Machine can easily strap two or three boxes into one secure parcel, reducing handling and freight costs.



Features

- Safety limit switch included
- Hinged stainless top plate
- Rigid castors with brake

Benefits

- Easy to use
- Adjustable strap tension to accommodate different parcels
- Adjustable strap length to minimise wastage

← →
6-15mm

15-45kg

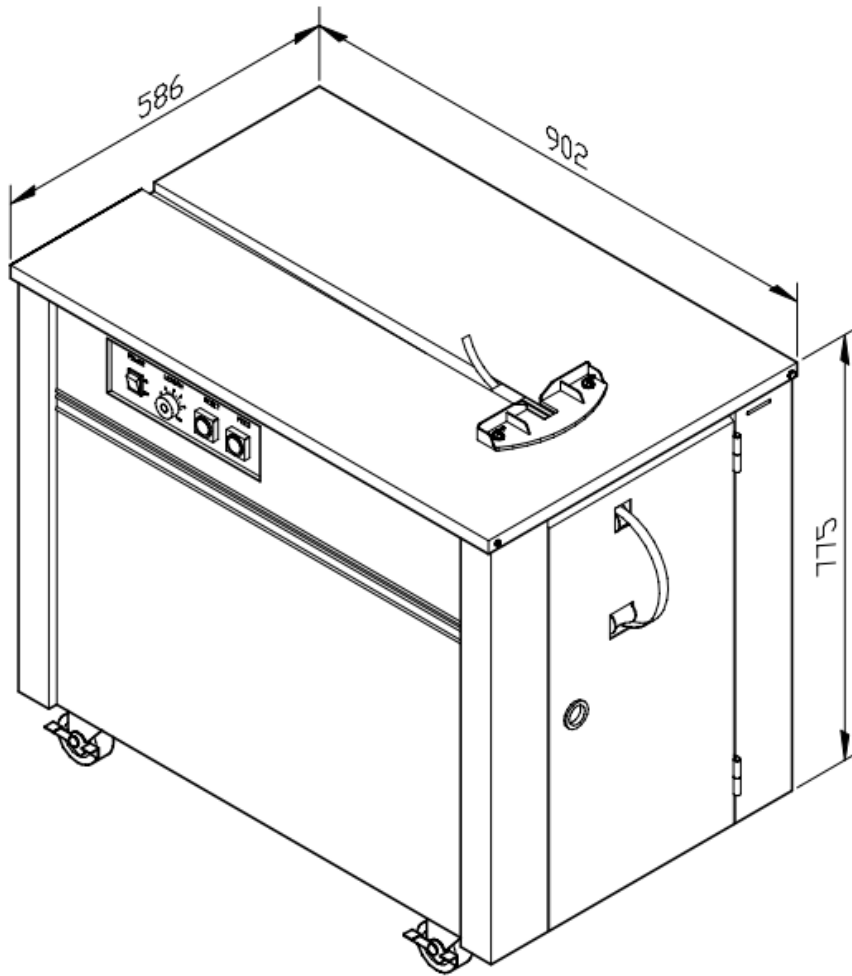
240 V


Polypropylene (PP) Strap

For optimal strapping efficiency we recommend our range of Polypropylene Machine strap.

Ask your JT Dixon representative for their guidance.





Technical Specifications

Capacity:

Single strap, seconds/strap up to: 2.5

Bundles:

Min. Width (mm): 80

Max. bundle width unlimited based on practicality

Min. Height (mm): 20

Max. bundle height unlimited based on practicality

Max. Weight (kg) 100

Strap Tension:

Adjustable

Max. Tension at bundle (kg): 45

Strapping Material:

Polypropylene

Width (mm): 6 - 15

Sealing Method:

Heat seal

Power Supply:

240V, Single Phase, 50 Hz

Power Consumption:

Power consumption approx. (kW): 0.5

Weight:

Total weight approx. (kg): 100